

Kit Contents

REVISIONS

REV	DESCRIPTION	DATE	APPROVED
A	INITIAL RELEASE PER ECO 17-22247	03/21/17	K. DUBROWN

A

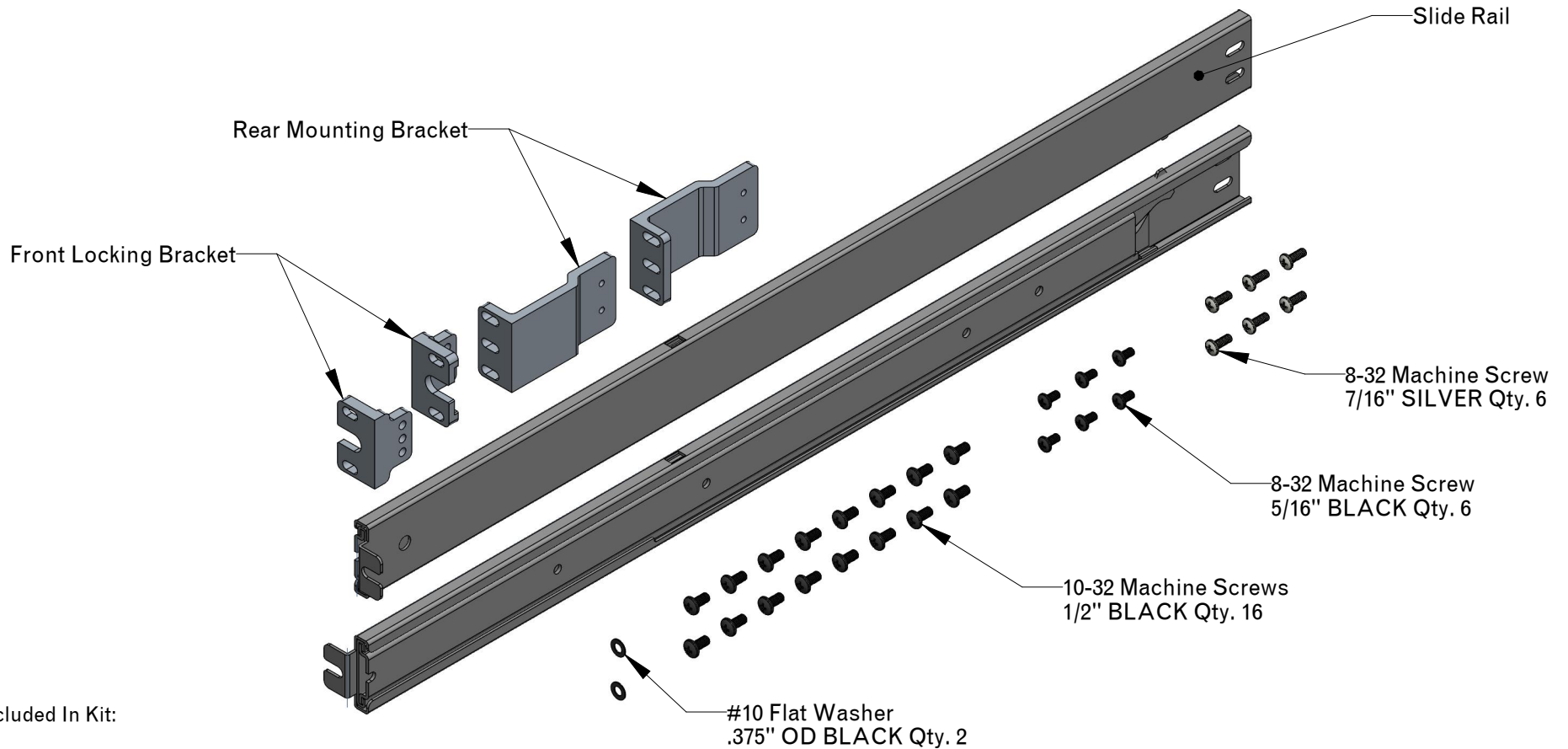
A

B

B

C

C



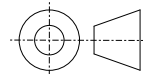
Included In Kit:

1. SLIDE RAIL, QTY: 2
2. REAR MOUNTING BRACKET, QTY: 2
3. FRONT LOCKING BRACKET, QTY: 2
4. 18-8 SS PAN HEAD PHILIPS MACHINE SCREW 8-32 THREAD, 5/16" LENGTH, BLACK OXIDE FINISH QTY: 6
5. 18-8 SS PAN HEAD PHILIPS MACHINE SCREW 8-32 THREAD, 7/16" LENGTH, PLAIN FINISH QTY: 6
6. 18-8 SS PAN HEAD PHILIPS MACHINE SCREW 10-32 THREAD, 1/2" LENGTH, BLACK OXIDE FINISH, QTY: 16
7. 18-8 SS #10 FLAT WASHER, 0.375" OD, BLACK OXIDE FINISH, QTY: 2
8. REFERENCE SYNQOR SPECIFICATIONS: 554-1000016 554-1000008 & 554-1000009
9. WEIGHT: 5.9 lbs (2.67 kg)

TOLERANCES:

Unless otherwise specified:
All dimensions in inches
.X +/- .025
.XX +/- .010
.XXX +/- .005
Angles +/- 1°

THIRD ANGLE PROJECTION



THIS DRAWING IS THE PROPERTY OF SYNQOR INC.
It is not to be reproduced or copied, in whole or in part, or used for furnishing information to others, or for any purpose detrimental to the interests of SynQor. The information shown herein may be protected by patents owned or controlled by SynQor.

SynQor

155 Swanson Road
Boxborough, MA 01719

UPS Slide Rail Mount Kit (26" Depth)

SOURCE: PRO/E ASSEMBLY_STEP5

SIZE	DATE	DWG. NO.	REV
A	MAR-21-17	SYN-9045	A
SCALE: 0.325	DRAWN: KJD	CHECK:	SHEET 1 of 7

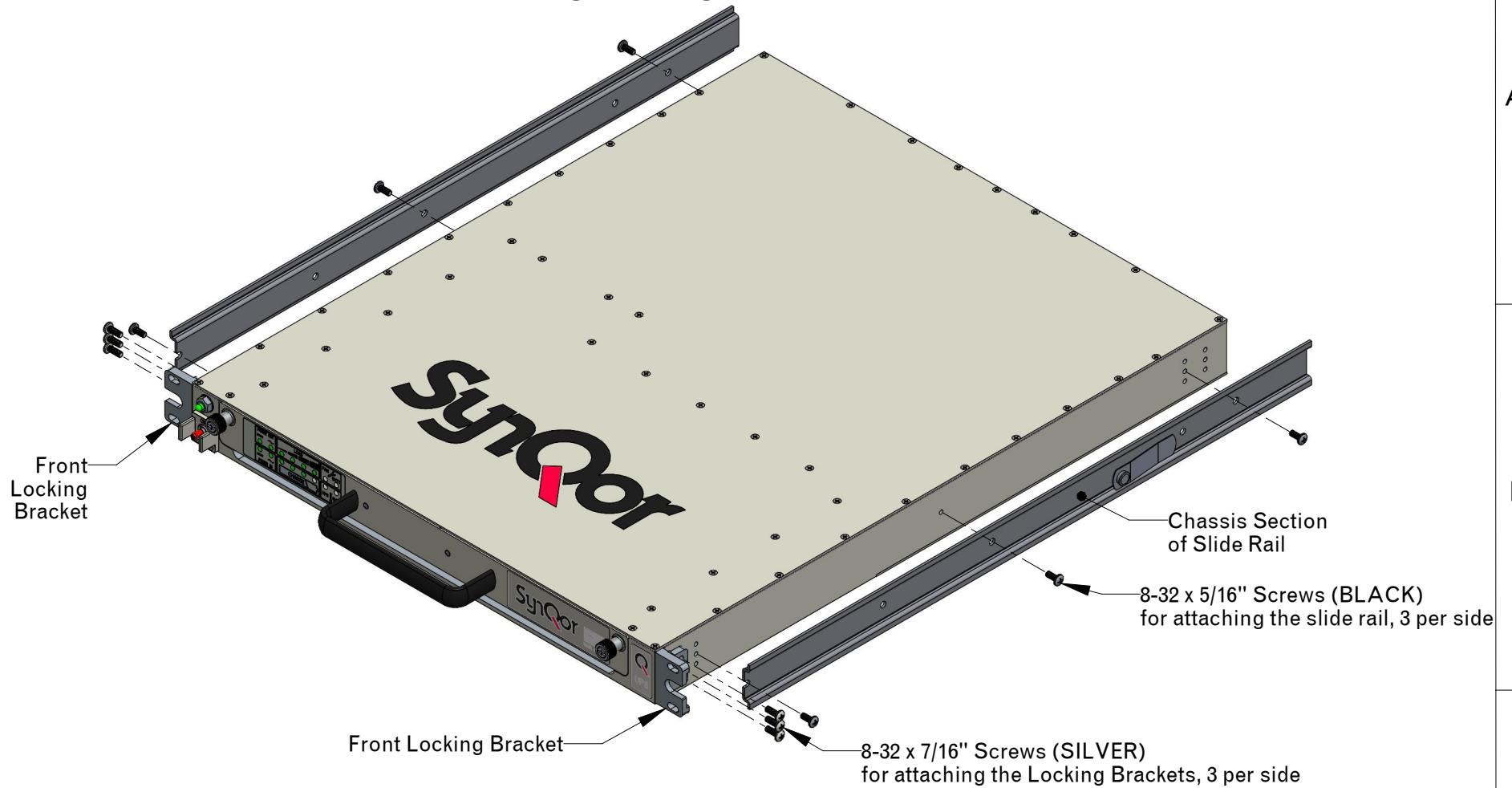
1

2

3

4

Rail - Chassis Mounting Diagram

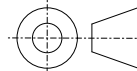


TOLERANCES:

Unless otherwise specified:
All dimensions in inches

- .X +/- .025
- .XX +/- .010
- .XXX +/- .005
- Angles +/- 1°

THIRD ANGLE PROJECTION



THIS DRAWING IS THE PROPERTY OF SYNQOR INC.
It is not to be reproduced or copied, in whole
or in part, or used for furnishing information
to others, or for any purpose detrimental to the
interests of SynQor. The information shown herein
may be protected by patents owned or controlled by SynQor.



155 Swanson Road
Boxborough, MA 01719

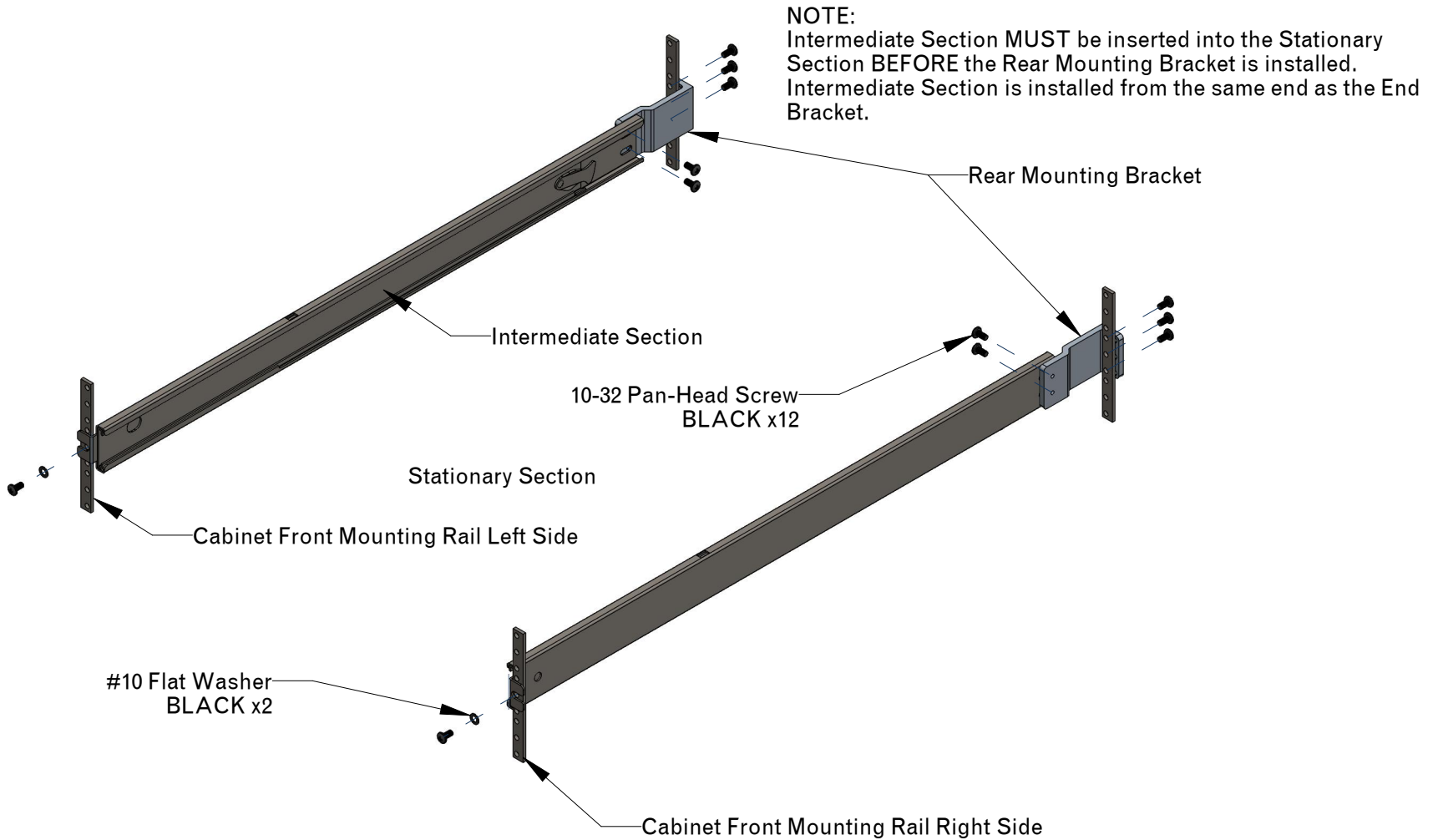
UPS Slide Rail Mount Kit (26" Depth)

SOURCE: PRO/E ASSEMBLY_STEP1

SIZE	DATE	DWG. NO.	REV
A	MAR-21-17	SYN-9045	A

SCALE: 0.250 DRAWN: KJD CHECK: SHEET 2 of 7

Rail - Rack Mounting Diagram

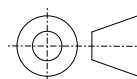


TOLERANCES:

Unless otherwise specified:
All dimensions in inches

- .X +/- .025
- .XX +/- .010
- .XXX +/- .005
- Angles +/- 1°

THIRD ANGLE PROJECTION



THIS DRAWING IS THE PROPERTY OF SYNQOR INC.
It is not to be reproduced or copied, in whole or in part, or used for furnishing information to others, or for any purpose detrimental to the interests of SynQor. The information shown herein may be protected by patents owned or controlled by SynQor.



155 Swanson Road
Boxborough, MA 01719

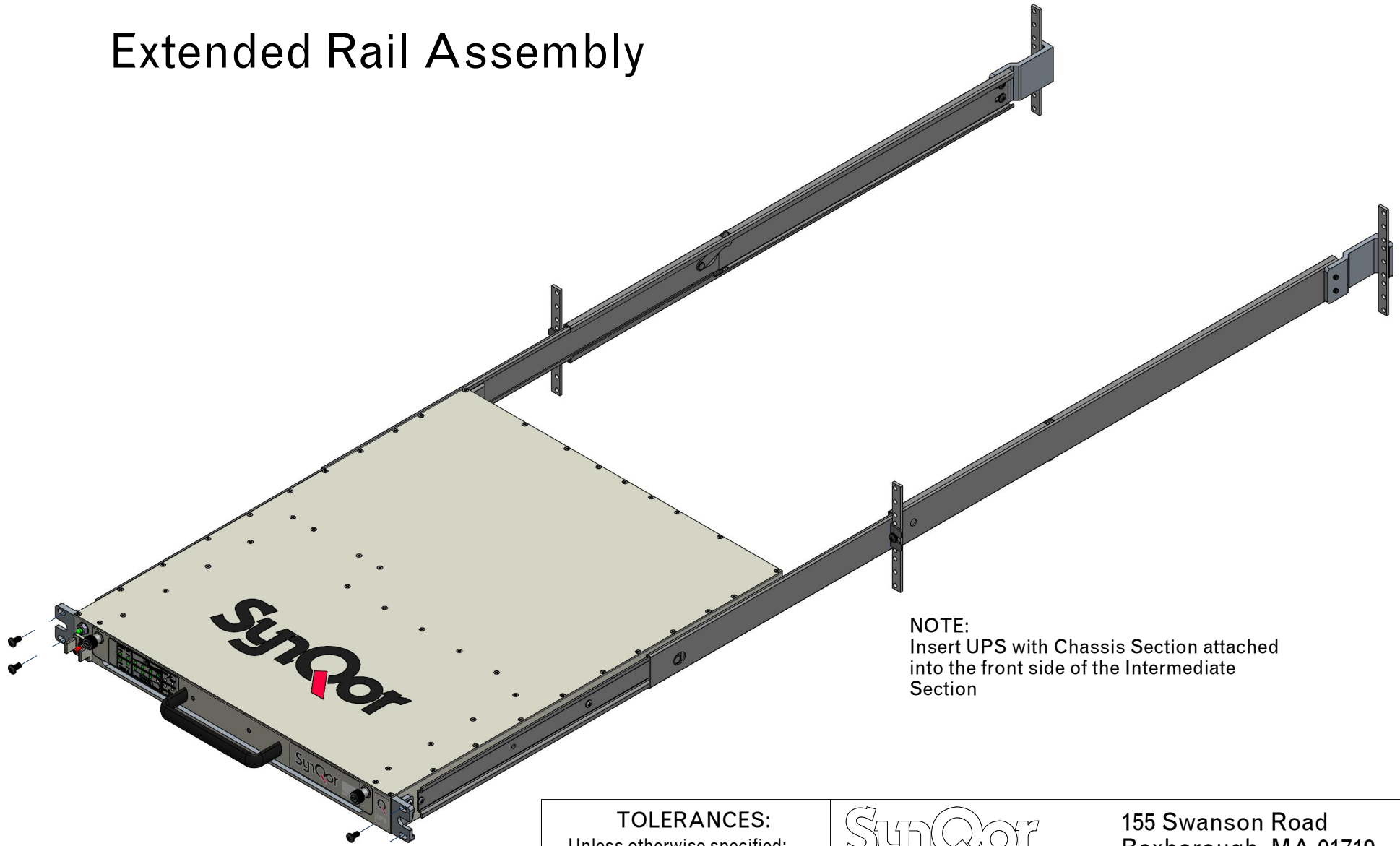
UPS Slide Rail Mount Kit (26" Depth)

SOURCE: PRO/E ASSEMBLY_STEP2

SIZE	DATE	DWG. NO.	REV
A	MAR-21-17	SYN-9045	A

SCALE: 0.200 DRAWN: KJD CHECK: SHEET 3 of 7

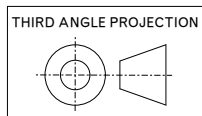
Extended Rail Assembly



NOTE:
 Insert UPS with Chassis Section attached into the front side of the Intermediate Section

10-32 Pan-Head Screw
 BLACK x4

TOLERANCES:
 Unless otherwise specified:
 All dimensions in inches
 .X +/- .025
 .XX +/- .010
 .XXX +/- .005
 Angles +/- 1°



THIS DRAWING IS THE PROPERTY OF SYNQOR INC.
 It is not to be reproduced or copied, in whole or in part, or used for furnishing information to others, or for any purpose detrimental to the interests of SynQor. The information shown herein may be protected by patents owned or controlled by SynQor.

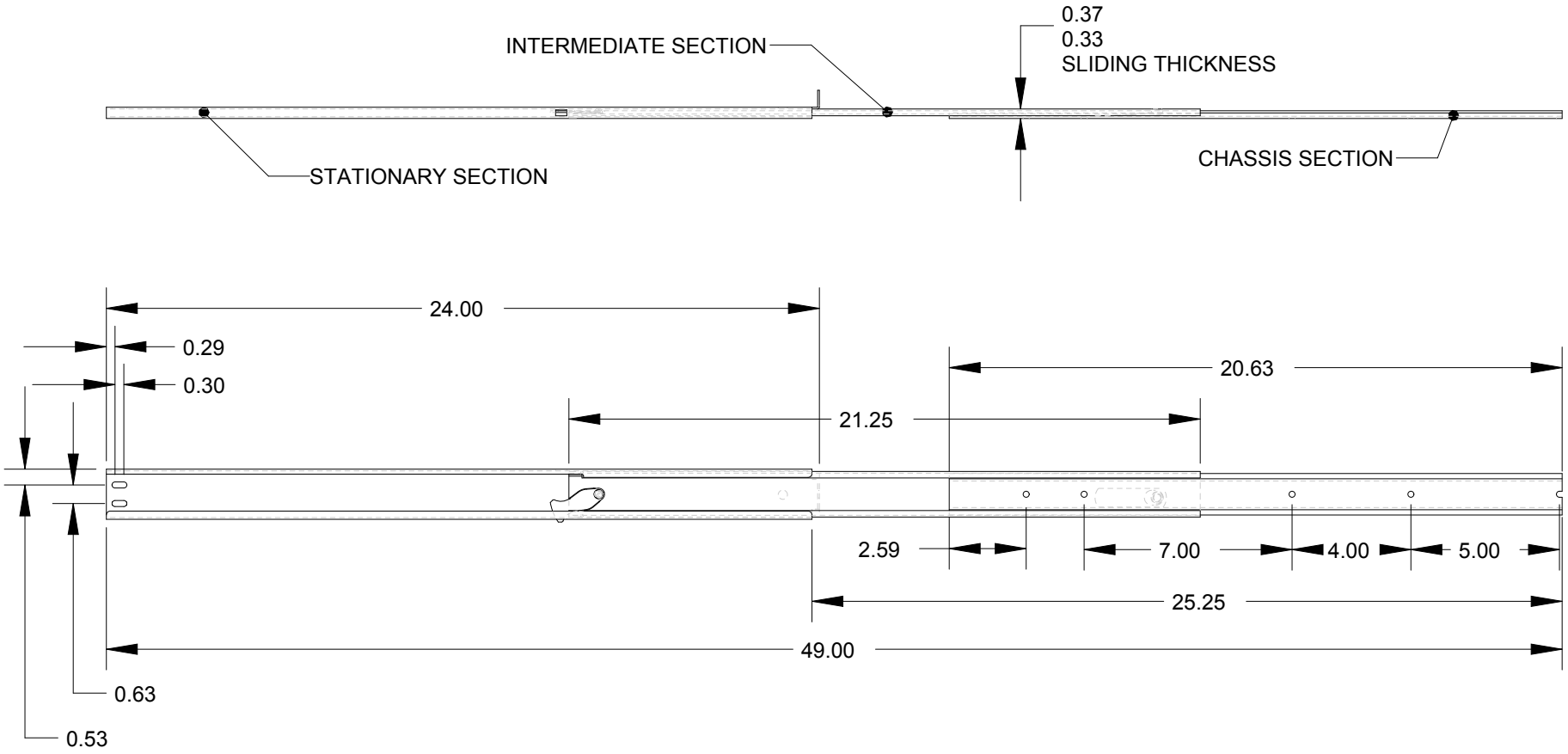


155 Swanson Road
 Boxborough, MA 01719

UPS Slide Rail Mount Kit (26" Depth)

SOURCE: PRO/E ASSEMBLY_STEP3			
SIZE	DATE	DWG. NO.	REV
A	MAR-21-17	SYN-9045	A
SCALE: 0.190	DRAWN: KJD	CHECK:	SHEET 4 of 7

Slide Rail Details



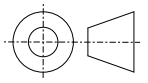
C

- Notes
1. ALL SLIDING MEMBERS OF THE STANDARD SLIDE ARE MADE FROM COLD ROLLED STEEL.
 2. WEIGHT CAPACITY OF THE RAIL IS 85 lbs.

TOLERANCES:

Unless otherwise specified:
 All dimensions in inches
 .X +/- .025
 .XX +/- .010
 .XXX +/- .005
 Angles +/- 1°

THIRD ANGLE PROJECTION



THIS DRAWING IS THE PROPERTY OF SYNQOR INC.
 It is not to be reproduced or copied, in whole or in part, or used for furnishing information to others, or for any purpose detrimental to the interests of SynQor. The information shown herein may be protected by patents owned or controlled by SynQor.



155 Swanson Road
 Boxborough, MA 01719

UPS Slide Rail Mount Kit (26" Depth)

SOURCE: PRO/E 554-1000016			
SIZE	DATE	DWG. NO.	REV
A	MAR-21-17	SYN-9045	A
SCALE: 0.180	DRAWN: KJD	CHECK:	SHEET 5 of 7

1

2

3

4

A

A

B

B

C

C

1

2

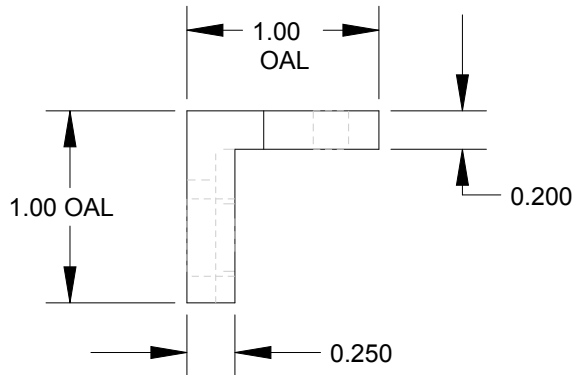
3

4

1 2 3 4

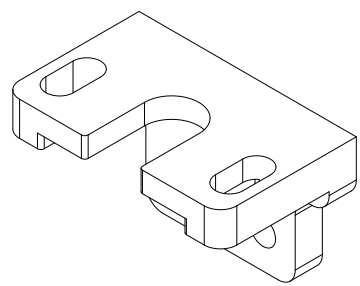
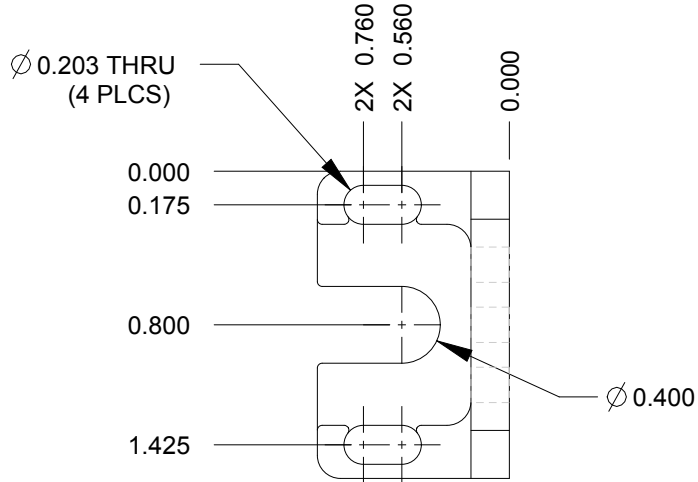
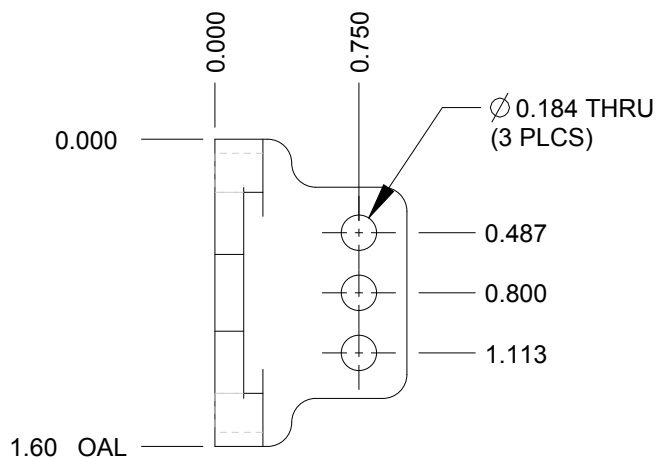
A

A



B

B



C

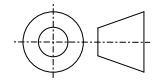
C

NOTES:
 1. MATERIAL: 6061-T6 ALUMINUM
 2. FINISH: CLEAR ANODIZED

TOLERANCES:

Unless otherwise specified:
 All dimensions in inches
 .X +/- .025
 .XX +/- .010
 .XXX +/- .005
 Angles +/- 1°

THIRD ANGLE PROJECTION



THIS DRAWING IS THE PROPERTY OF SYNQOR INC.
 It is not to be reproduced or copied, in whole
 or in part, or used for furnishing information
 to others, or for any purpose detrimental to the
 interests of SynQor. The information shown herein
 may be protected by patents owned or controlled by SynQor.



155 Swanson Road
 Boxborough, MA 01719

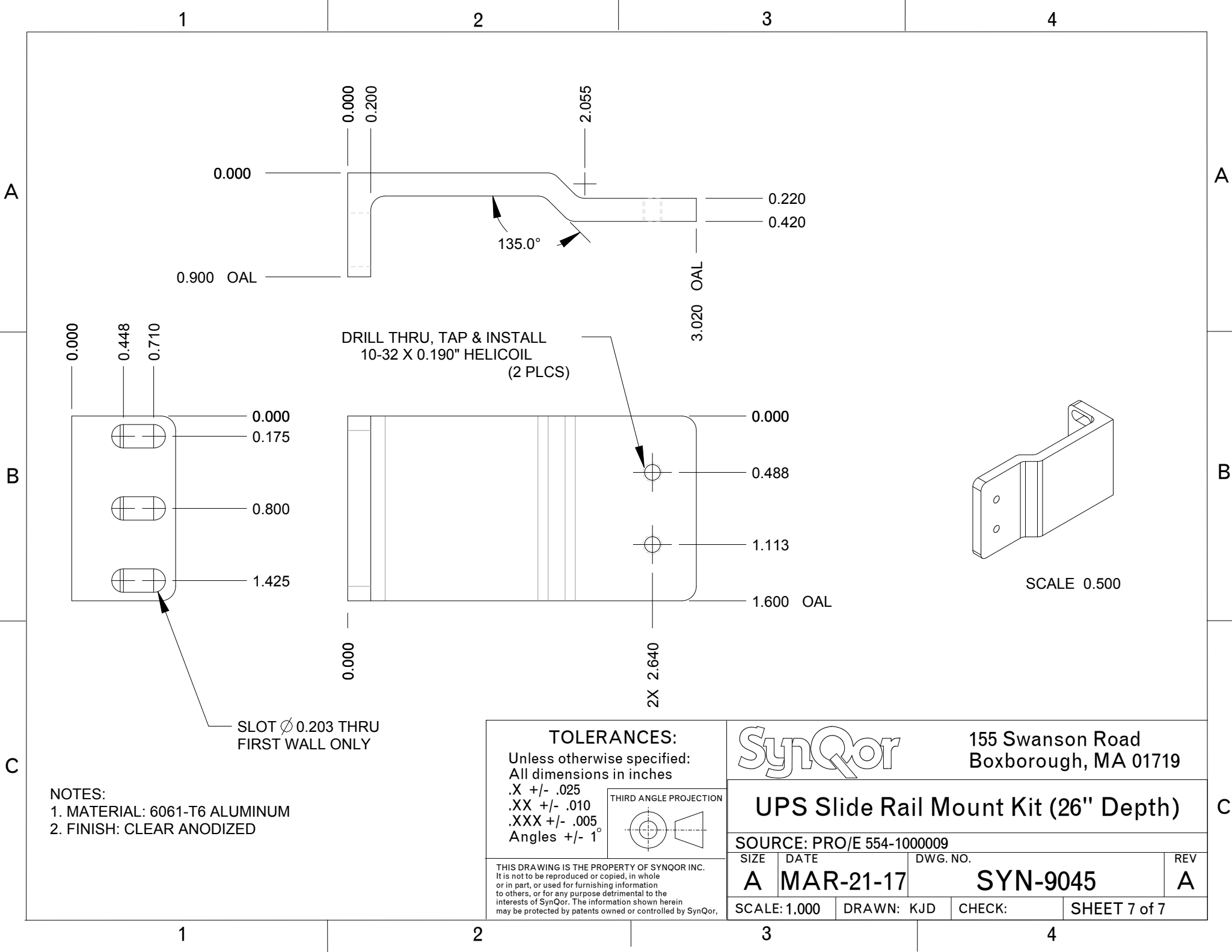
UPS Slide Rail Mount Kit (26" Depth)

SOURCE: PRO/E 554-1000008

SIZE	DATE	DWG. NO.	REV
A	MAR-21-17	SYN-9045	A

SCALE: 1.000	DRAWN: KJD	CHECK:	SHEET 6 of 7
--------------	------------	--------	--------------

1 2 3 4

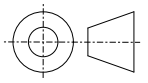


NOTES:
 1. MATERIAL: 6061-T6 ALUMINUM
 2. FINISH: CLEAR ANODIZED

TOLERANCES:

Unless otherwise specified:
 All dimensions in inches
 .X +/- .025
 .XX +/- .010
 .XXX +/- .005
 Angles +/- 1°

THIRD ANGLE PROJECTION



THIS DRAWING IS THE PROPERTY OF SYNQOR INC.
 It is not to be reproduced or copied, in whole or in part, or used for furnishing information to others, or for any purpose detrimental to the interests of SynQor. The information shown herein may be protected by patents owned or controlled by SynQor.



155 Swanson Road
 Boxborough, MA 01719

UPS Slide Rail Mount Kit (26" Depth)

SOURCE: PRO/E 554-1000009

SIZE	DATE	DWG. NO.	REV
A	MAR-21-17	SYN-9045	A
SCALE: 1.000		DRAWN: KJD	CHECK:
			SHEET 7 of 7